



Sail measurement form

Trampoline

Fill in and send to cotes@sailonet.com

Order n° : Date :

Type of boat : *compulsory* Length :

Marina : Dock :

Last name: First Name :

Phone:

For producing your trampoline and getting price information, please fill in the measures (A, B, C etc.) of the to be covered surface in centimetres and not only the surface of the required net.

Our technicians manufacture the net within the necessary time, our commoly used mesh size is 15/ 20 cm.

A cm

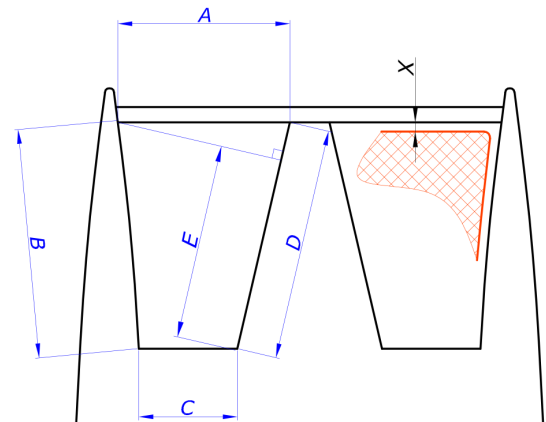
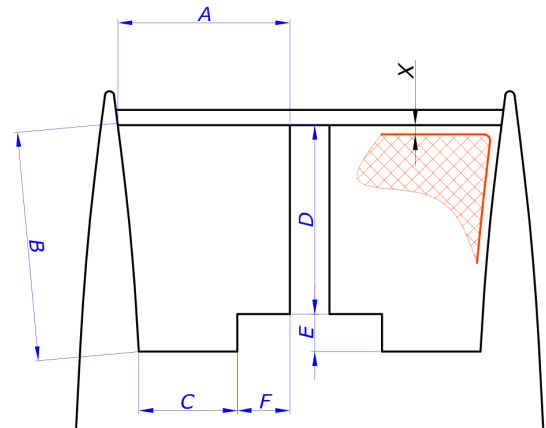
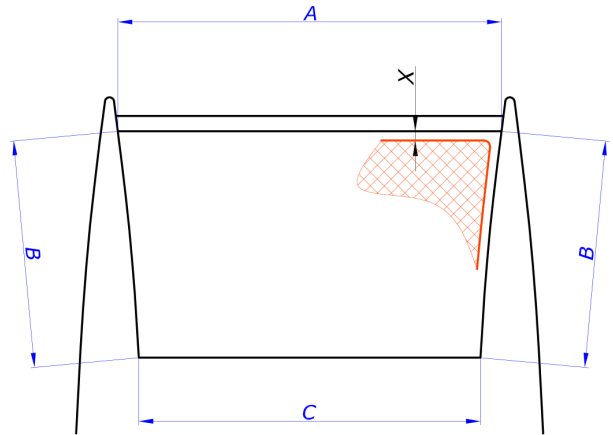
B cm

C cm

D cm

E cm

F cm



Comments